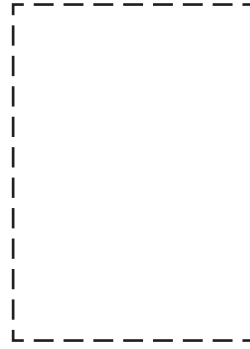


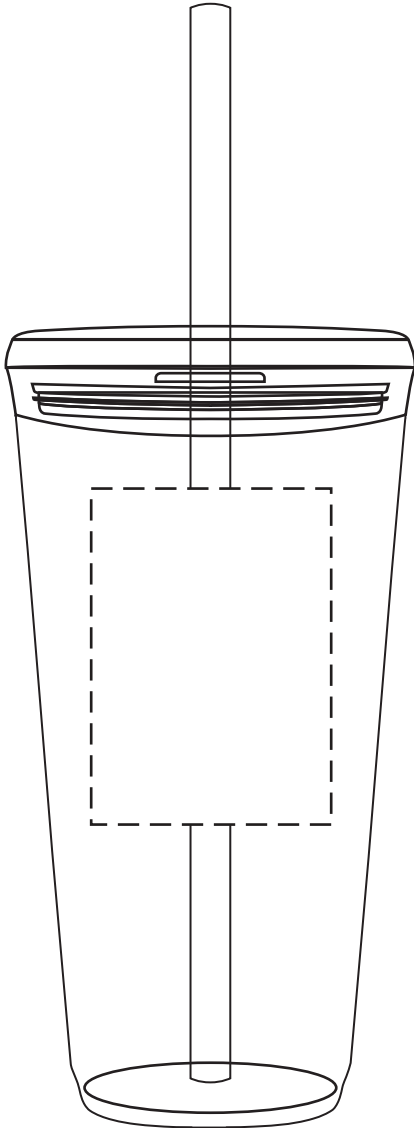
50% FOR VIEWING



2-1/2" x 3-1/2"
Either Side
(SCREEN or DIGITAL)

50% FOR VIEWING

Norris 20 oz
Recycled Acrylic Straw Tumbler
DTM-NS26 - FRONT



8-7/8" x 3-1/2" Wrap with Gap (SCREEN or DIGITAL)

1/2" Gap



2-Sided Wrap (SCREEN or DIGITAL)



9-3/8" x 3-1/2" Seamless Wrap (DIGITAL)

Item #	Description
DTM-NS26	Norris 20 oz Recycled Acrylic Straw Tumbler

Your artwork will be sized to max imprint area unless otherwise requested. Due to the orientation of some logos, your artwork may be sized smaller than the imprint area listed here or in the catalog to achieve a uniform, non-distorted imprint.